

Liquid Level Switch

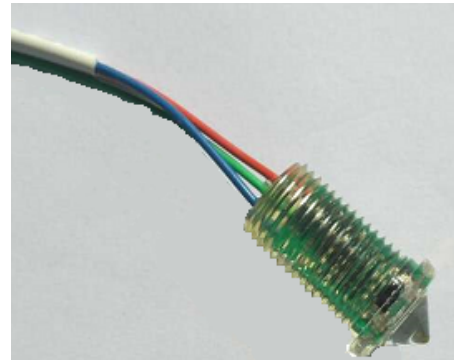
Optomax Digital

LLT510D3

FEATURES

Optomax Digital liquid level switches are ideal for applications with restricted space that require a miniature, low power and low cost sensing solution.

The microcontroller based sensor is solid state, incorporating an infra-red LED and phototransistor which are optically coupled by the tip when the sensor is in air. When the sensing tip is immersed in liquid, the infra-red light escapes making the output change state.



<p>Housing/ Mounting</p> <p>M10x1</p>	<p>Output Type / Logic</p> <p>PUSH PULL</p> <div style="display: flex; justify-content: space-around;"> <div data-bbox="406 1064 550 1176"> <p>1 0 HIGH IN AIR</p> </div> <div data-bbox="598 1064 742 1176"> <p>0 1 LOW IN AIR</p> </div> </div>	<p>Supply Voltage</p> <p>4.5 - 15.4 V VOLTAGE</p>	<p>Output Current</p> <p>UP TO 100mA CURRENT</p>	<p>Temp</p> <div style="display: flex; flex-direction: column; gap: 10px;"> <p>-25°C to +80°C TEMPERATURE</p> <p>-40°C to +125°C TEMPERATURE</p> </div>
--	--	--	---	--

TECHNICAL SPECIFICATIONS

<p>Supply voltage (Vs) 4.5V_{DC} to 15.4V_{DC}</p> <p>Supply current (Is) 2.5mA max. (Vs = 15.4V_{DC})</p> <p>Output sink and source current (Iout) 100mA</p> <p>Operating temperatures -40°C to +125°C</p> <p>Storage temperatures -40°C to +125°C</p>	<p>Housing material Trogamid® or Polysulfone¹</p> <p>Sensor termination 24AWG, 250mm PTFE wires, 8mm tinned</p> <p>Mounting thread² M10x1³</p> <p>Operating pressure 20bar⁴</p> <p>Tightening torque 1.5Nm / 13.26 in-lb maximum</p>
--	---

OUTPUT VALUES

Output Voltage⁵ (Vout):	Iout = 100mA
Output High	Vout = Vs - 1V max
Output Low	Vout = 0V + 0.5V max

NOTES

- 1) Before use check that the fluid in which you wish to use these devices is compatible with Polysulfone.
- 2) Sensor is mounted from inside vessel.
- 3) Hex nut and O-ring sold separately.
- 4) When correctly sealed.
- 5) Voltages applicable to output value stated.

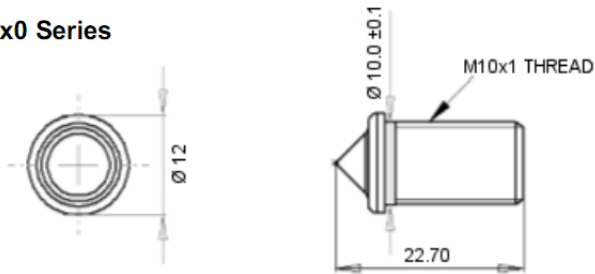
ApolloSense Ltd

OUTLINE DRAWING

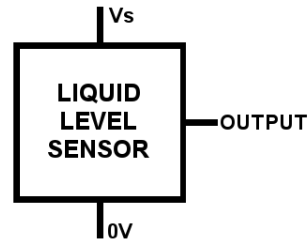
All dimensions shown in mm. Tolerances = ±1mm.

Sensor mounted from inside vessel

LLx5x0 Series



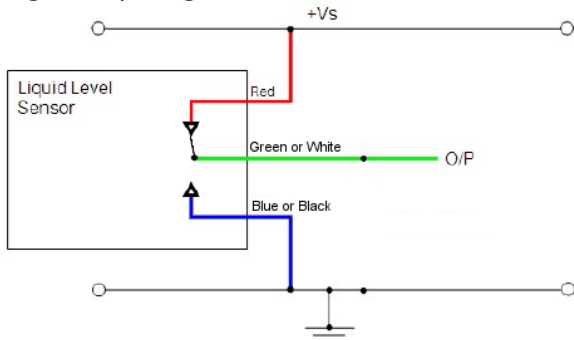
ELECTRICAL INTERFACE



Wire	Designation
Red	Vs
Green	Output
Blue	0V

CIRCUIT DIAGRAM

Digital Output High in Air



CAUTION: Take care when connecting loads.

The minimum load impedance should not exceed $V_s/\text{max output current}$.

NOTE: Shorting the output to V_s or $0V$ will result in irreparable damage to the sensor.

ORDER INFORMATION

Specify the part number listed below when ordering.

Housing Material	Operating Temp.	Output Logic
C Polysulfone	0 -25 °C to +80 °C	Blank Output High in air
T Trogamid®	1 -40 °C to +125 °C	L Output Low in air

Part Number: L L X 5 X 0 D 3 X

CAUTION

Do not exceed maximum ratings and ensure sensor(s) are operated in accordance with their requirements.

Carefully follow all wiring instructions. Incorrect wiring can cause permanent damage to the device.

Apollo Sensing Ltd recommend using alcohol based cleaning agents. Do NOT use chlorinated solvents such as trichloroethane as these are likely to attack the sensor material.

Failure to comply with these instructions may result in product damage.

INFORMATION

As customer applications are outside of Apollosense Ltd.'s control, the information provided is given without legal responsibility.

Customers should test under their own conditions to ensure that the equipment is suitable for their intended application. Before use, check that the fluid in which you wish to use these devices is compatible with Polysulfone.

General Note: Apollo Sensing Ltd. reserves the right to make changes to product specifications without notice or liability. All information is subject to Apollo Sensing Ltd.'s own data and considered accurate at time of going to print.



Apollosense Ltd