

PRODUCT DATASHEET

HERO Application



Application Products

- FOT-HERO Sensor
- FPI-HERO module
- EVOLUTION chassis

Key Features

- Absolute measurement
- Sensor signal diagnostic
- Compatible with FOT-HERO
- Limited effect due to vibration
- Sensor maintains calibration with any extension length and connections
- Temperature-compensated modules

Specifications

	FOT-HERO
Temperature measuring range	0°C to 120°C
Minimum current detected on MK1 squib	6 mA
Resolution ^{1,2}	1 mA
Response time ^{3,4}	<1 millisecond
Sampling rate	Up to 250 Hz per module
Power consumption	5 Watts
Analog output (Optional)	0 to 5V or 4–20 mA / 16 bits resolution
Operating temperature	10°C to 50°C
Storage temperature	–30°C to 80°C
Connector	SCA (ST optional)
Fiber core size	100/125µm (62.5/125µm optional)
Number of channel	1
Communication / Evolution chassis	USB
Communication/OEM	RS-232 / RS-485
LED sensor signal and communication diagnostic	Yes

1. Corresponding accuracy in milliamps is relative to the EED under test and has to be determined by an experimental test.

2. Based on MK1 squib, performance is related to system averaging.

3. Based on MK1 squib, 60 milliseconds, defined as the ratio of energy and power which produces the same peak output.

4. Based on MK1 squib, 275 milliseconds, defined as the rise time (10% to 90%) of the output.

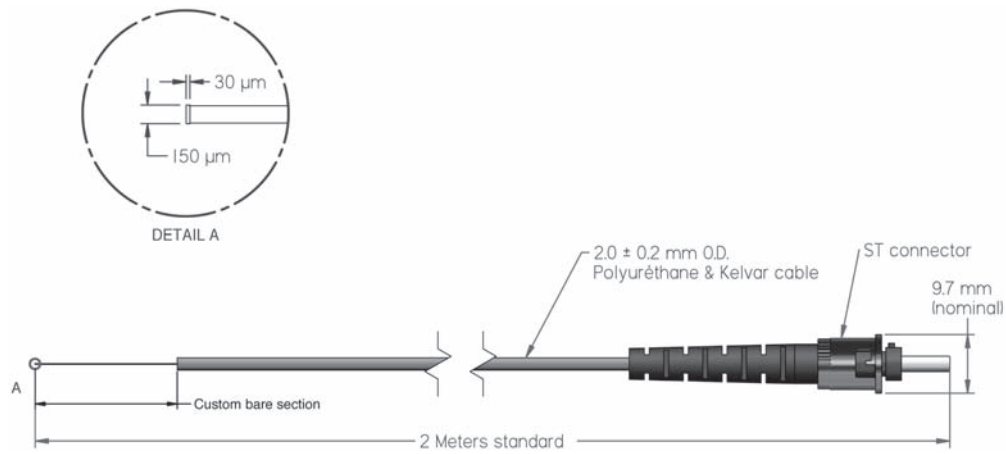
传感与控制事业部

深圳市新世联科技有限公司

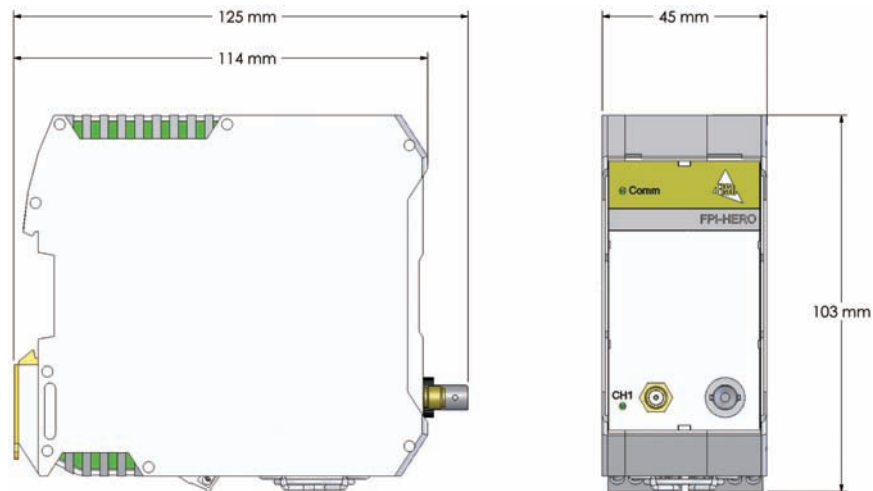
地址：深圳市深圳南中路2006号华能大厦712室
 电话：0755-83680810 83680820 83680830 83680860
 网址：www.apollounion.com

邮编：518031
 传真：0755-83680866
 邮箱：sensor@apollounion.com

FOT-HERO Sensor Dimensions



FPI-HERO Module Dimensions



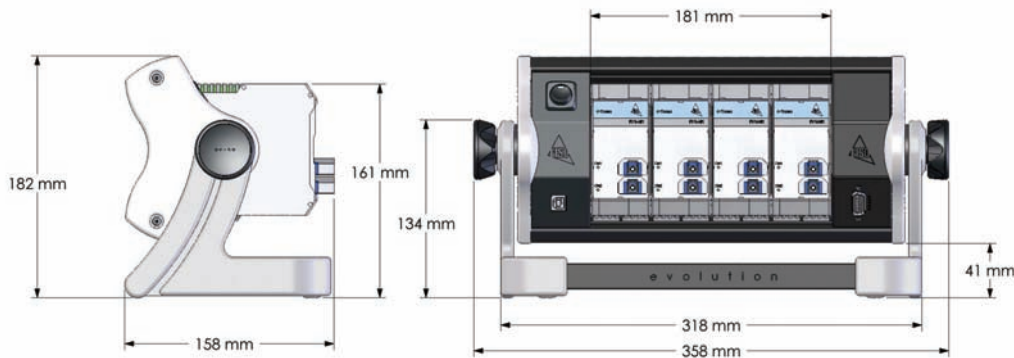
Specifications

Chassis

	EVOLUTION EVO-SD-2	EVOLUTION EVO-SD-4	EVOLUTION EVO-HMI-4 (Coming Soon)	EVOLUTION EVO-EXP-6 Expansion Unit	EVOLUTION EVO-RM-7 Rackmount
Display	—	—	LCD QVGA (320*240) Touchscreen	—	—
Communication	USB	USB Expansion RS-485	USB Ethernet 10/100Mb Expansion RS-485	RS-485	USB
Data logging memory	Via computer	Via computer	Internal, SD, USB slave	Main control unit EVO-SD-4 or EVO-HMI-4	Via computer
Number of modules	Up to 2	Up to 4	Up to 4	Up to 6	Up to 7
Expansion chassis	—	EVO-EXP-6	EVO-EXP-6	EVO-EXP-6	—
Power supply	24VDC 70W	24VDC 70W	24VDC 70W	24VDC 70W	24VDC 70W

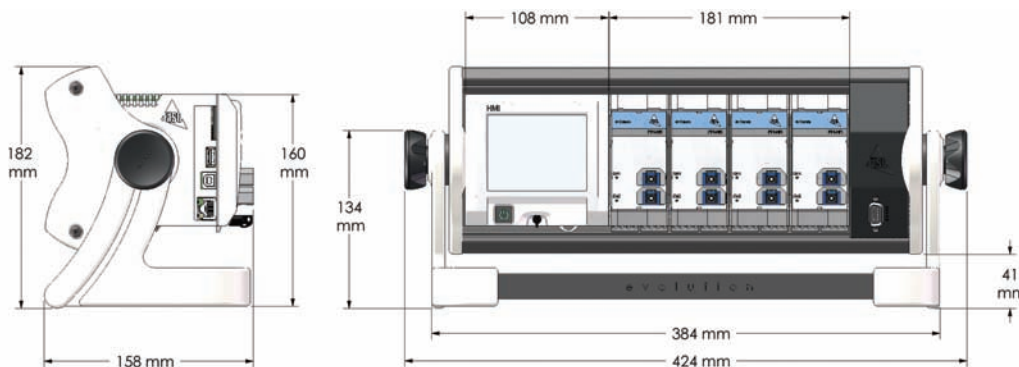
Evolution Chassis Dimensions

EVO-SD-4 Model



EVO-HMI-4 Model

COMING SOON



传感与控制事业部

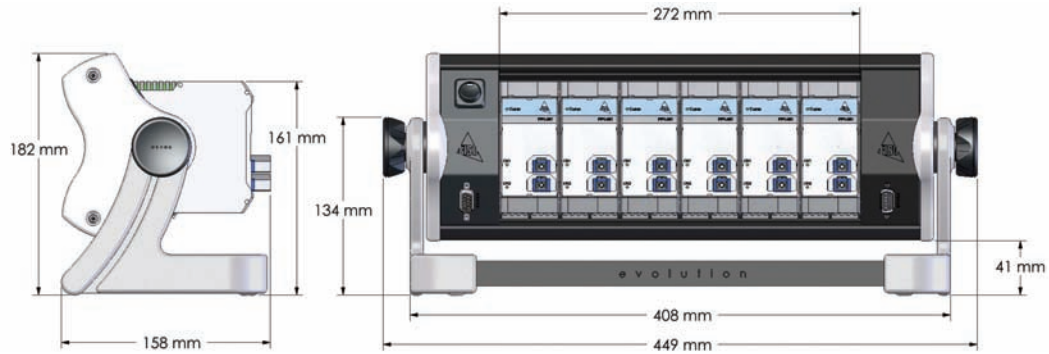
深圳市新世联科技有限公司

地址：深圳市深圳南中路2006号华能大厦712室
 电话：0755-83680810 83680820 83680830 83680860
 网址：www.apollounion.com

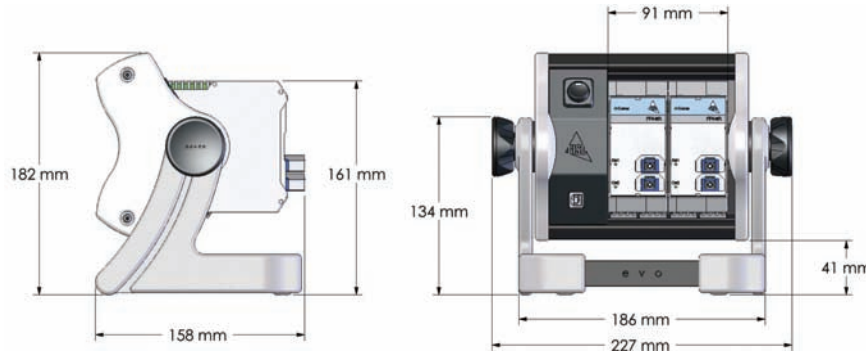
邮编：518031
 传真：0755-83680866
 邮箱：sensor@apollounion.com

Evolution Chassis Dimensions

EVO-EXP-6 Model



EVO-SD-2 Model



EVO-RM-7 Model

